

## **GEO-3000 Series Active Graphic:**

### **PRODUCT DESCRIPTION:**

The GEO-3000 series active graphic products is designed for locations where a normal level of abuse is expected. The graphic's standard frame is manufactured from a durable and attractive clear anodized aluminum; optional anodized colours are available. Graphic mounting options include outer door (see Fig.2) or inner door. The inner door configuration (see Fig.3) includes a locking outer door which provides restricted access to the face of the graphic itself. A left-hand hinge is standard, but right, top, or bottom mounted hinges are also available. Back-box options include: flush (see Fig.4) which allows the back-box to be mounted inside the wall, surface (see Fig.5) which is mounted on the face of the wall and is anodized to match the chosen frame colour, and last but not least, the shallow surface frame (see Fig.6) which was specially designed for retrofit projects where the existing flush back-box must be retained. The graphic is protected by the standard 1/8" clear Lexan protective lens; for added protection an optional 1/4" clear Lexan protective lens is also available.

The building's layout and zones are defined by a black outline on a white background. Zone boundaries can be enhanced by using optional colour zone separations in pastel inks. All egress corridors are clearly defined in a distinctive black hatch pattern. For orientation, the "YOU ARE HERE" locator will be indicated in a bold red text and orientated to the viewer when standing in front of the graphic. The graphic itself is printed in a UV protected ink on a film overlay (see Fig.7) which can be easily replaced if the building or zone layouts change over time. Zone alarm indication is provided by super-bright, high intensity LED's, and are available in several colours. Each LED is flush mounted with the face of the graphic and has a minimum viewing angle of 150 degrees (see Fig.8). Custom mounting of customer supplied LCD displays (see Fig.1), control panels, microphones, etc., is also available if requested. Some other graphic options include local lamp test push buttons, local signal silence push buttons, trouble buzzers, and power on and system trouble LED's.

Each graphic is available in either common positive or common negative wiring, and is designed for 24VDC operation. Termination of the graphic to the customer supplied driver cards is typically done using ribbon cables to custom interface boards, some other common termination options include loose leads, terminal blocks and panduit clips.

The GEO-3000 Series active graphic can be used for applications other than fire alarm, and could include door monitoring, door control, motion detector alarm indication, or general equipment alarm indication.

A GEO-3000 Series active graphic will provide a durable and reliable visual aid.

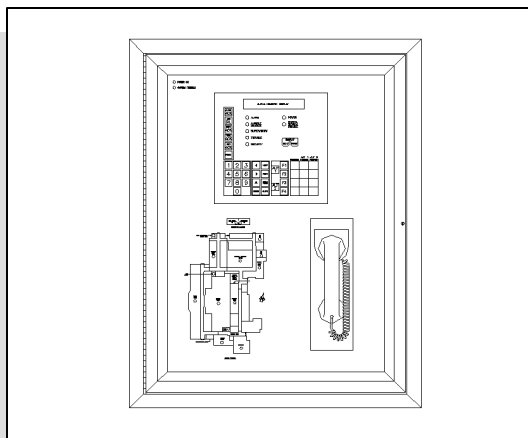
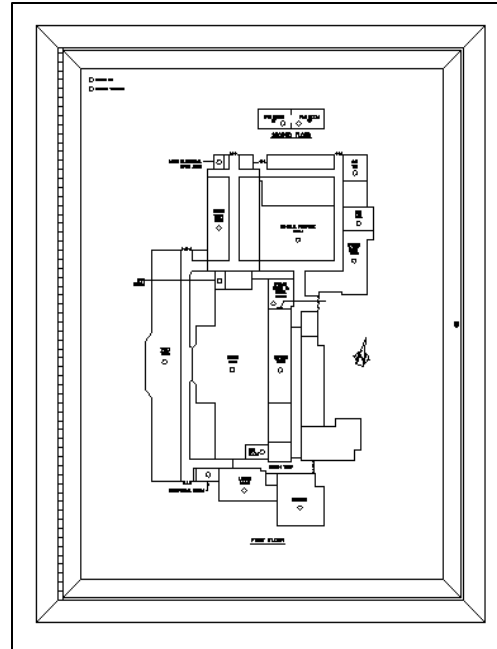


Fig.1

GEO-3000 WITH LCD DISPLAY  
AND MICROPHONE

INNER DOOR MOUNT GRAPHIC SHOWN

### **MODEL INFORMATION:**

#### **Outer Door Mount:**

See Table 1.1 and Table 1.2

#### **Inner Door Mount:**

See Table 1.3 and Table 1.4

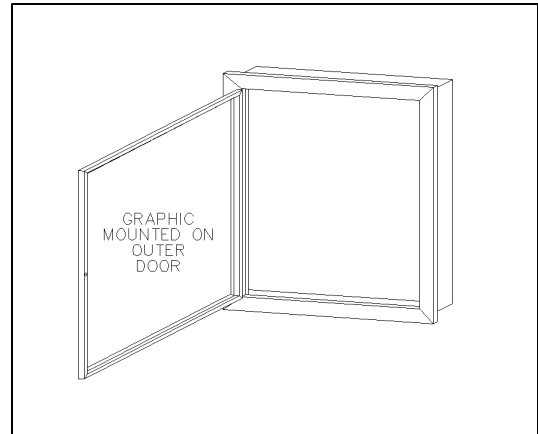


## GEO-3000 Series Active Graphic:

Fig.2

### OUTER DOOR MOUNT GRAPHIC

FLUSH MOUNT BACK-BOX SHOWN



### PRODUCT FEATURES:

- Frame, Door, and Surface mount back-box is manufactured from a durable clear anodized aluminum.
- Optional Anodized colours are available upon request.
- Optional weather proofing available for exterior use.
- Outer door or optional Inner door mounting available.
- Left hand hinge standard, right, top, and bottom hinge optional.
- Available in flush and surface back-boxes, or the shallow surface frame.
- 1/8" Lexan protective clear standard.
- 1/4" Lexan protective clear optional.
- Black outline on a white background clearly indicates building layout and zone boundaries.
- Zone boundaries can be enhanced using colour pastel inks.
- Egress corridors clearly defined in a distinctive black hatch pattern.
- "YOU ARE HERE" indicated in bold red text.
- Printed in a U.V. protected ink on a clear film overlay.
- Zone alarm indication is provided by super-bright, high intensity LED's.
- Each LED has a minimum viewing angle of 150 degrees.
- Custom mounting of switches, turn keys and customer supplied LCD displays, control panels, microphones, etc is available.
- Other graphic options include lamp test push buttons, signal silence push buttons, trouble buzzers, and power on and system trouble LED's.
- Both common positive and common negative wiring is available. Custom wiring options are also available upon request.
- Designed for 24VDC operation.
- Multiple termination options available, including termination to customer supplied driver cards.
- Available in eight standard sizes, optional custom sizes also available.
- Locking hardware included.
- U.L.C. listed product.

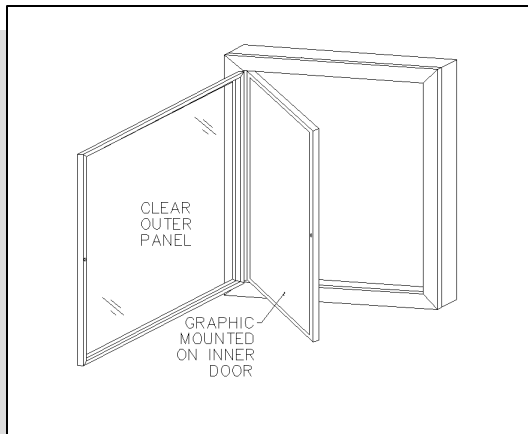


Fig.3

### INNER DOOR MOUNT GRAPHIC

SURFACE MOUNT BACK-BOX SHOWN

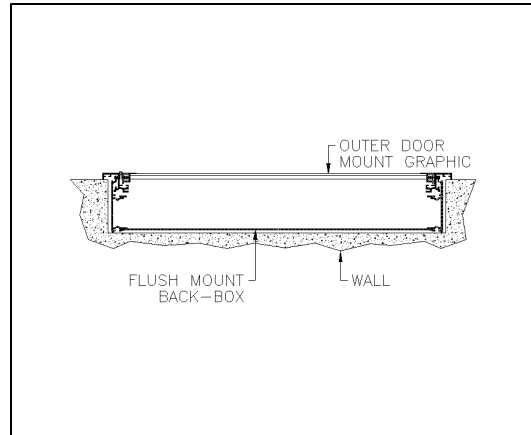


Fig.4

**FLUSH MOUNT BACK-BOX**

OUTER DOOR MOUNT GRAPHIC SHOWN

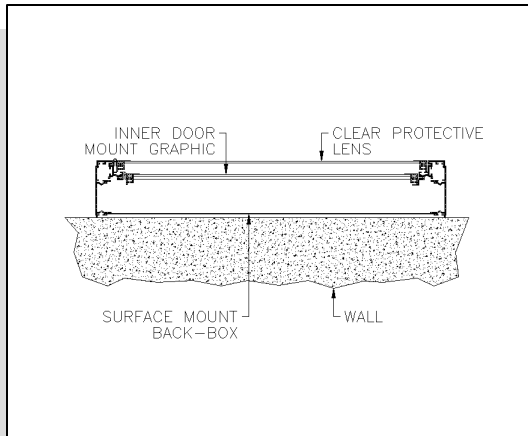


Fig.5

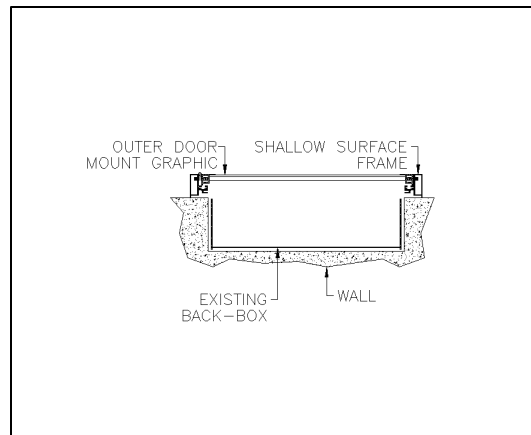
**SURFACE MOUNT BACK-BOX**

INNER DOOR MOUNT GRAPHIC SHOWN

Fig.6

**SHALLOW SURFACE FRAME**

OUTER DOOR MOUNT GRAPHIC SHOWN



**GEO-3000 Series Active Graphic:**

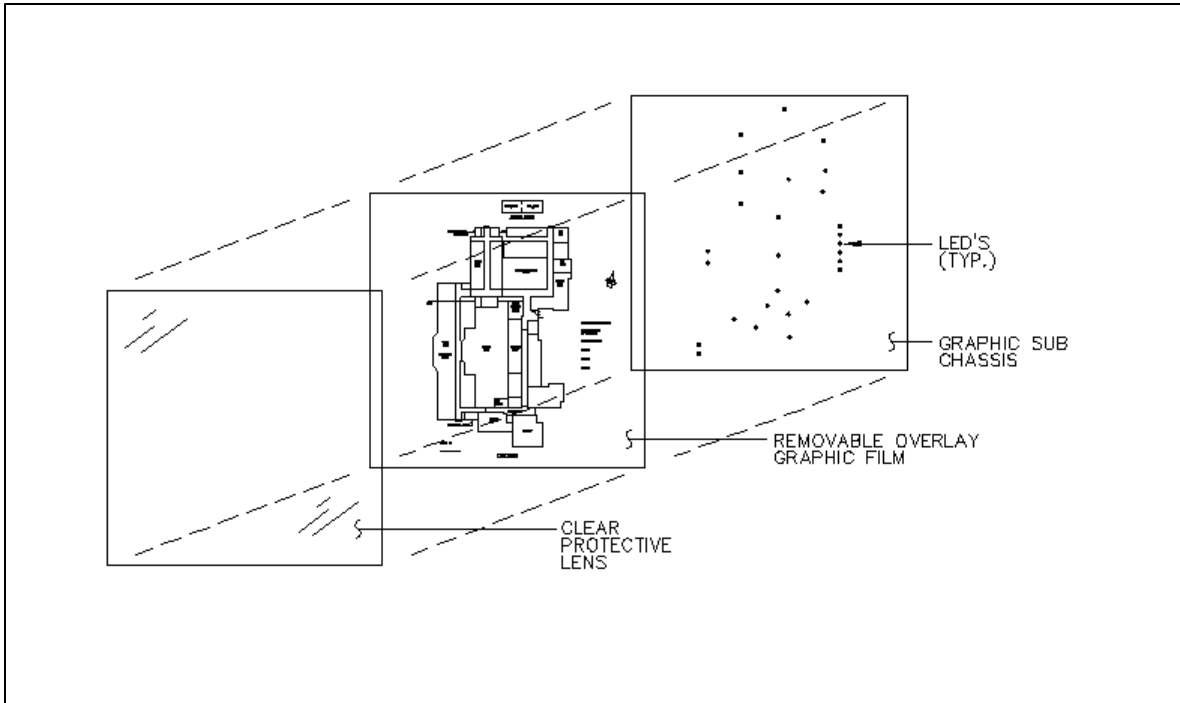


Fig.7

**TYPICAL GRAPHIC ASSEMBLY DIAGRAM**

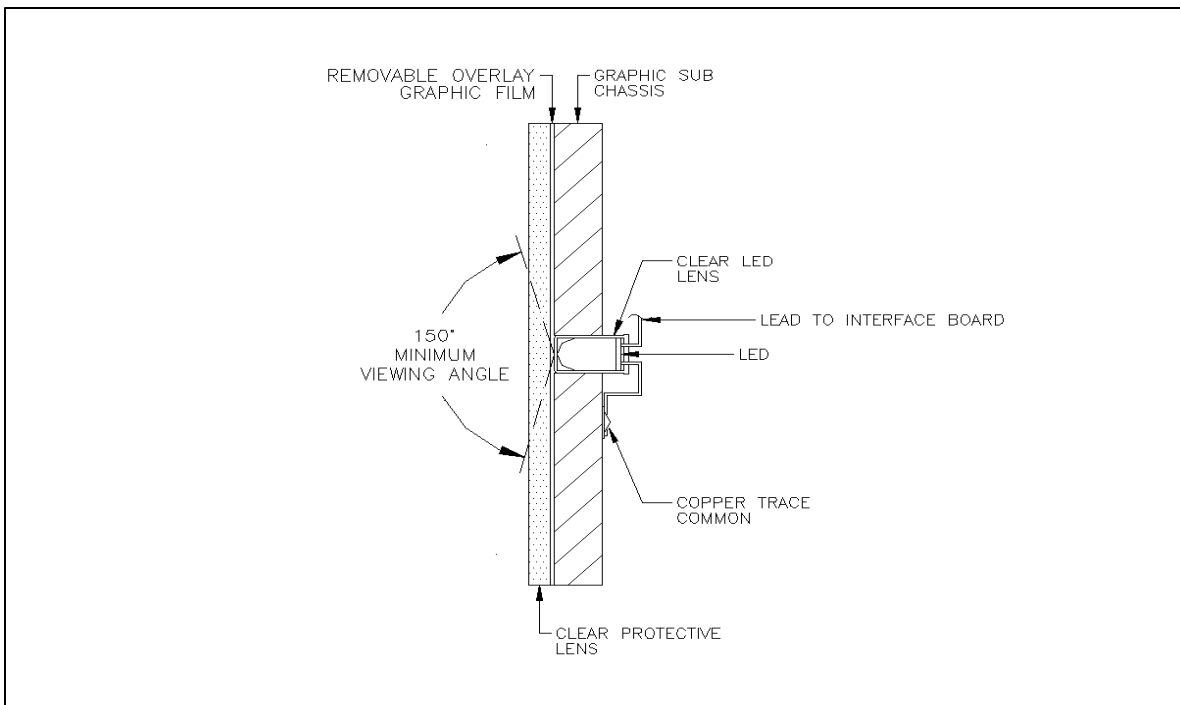


Fig.8

**TYPICAL LED ASSEMBLY DIAGRAM**

## GEO-3000 Series Active Graphic:

### OUTER DOOR MOUNT MODEL INFORMATION (FLUSH & SURFACE MOUNT):

MODEL NUMBER:	VIEWING SIZE W x H	VIEWING SIZE W x H	FRAME SIZE W x H (INCHES):	FRAME SIZE W x H (MM):	GRAPHIC TYPE	RECOMMENDED # OF ZONES
GEO-3006-Y-X	10 x 10	254 X 254	14 13/16 x 14 5/8	376 x 371	BLACK & WHITE	6
GEO-3010-Y-X	12 x 12	305 X 305	16 13/16 x 16 5/8	427 x 422	BLACK & WHITE	10
GEO-3014-Y-X	12 x 16	305 X 406	16 13/16 x 20 5/8	427 x 524	BLACK & WHITE	14
GEO-3016-Y-X	16 x 16	406 X 406	20 13/16 x 20 5/8	529 x 524	BLACK & WHITE	16
GEO-3024-Y-X	16 x 24	406 X 610	20 13/16 x 28 5/8	529 x 727	BLACK & WHITE	24
GEO-3040-Y-X	24 x 24	610 X 610	28 13/16 x 28 5/8	732 x 727	BLACK & WHITE	40
GEO-3050-Y-X	24 x 34	610 X 864	28 13/16 x 38 5/8	732 x 981	BLACK & WHITE	50
GEO-3070-Y-X	34 x 48	864 X 1219	38 13/16 x 52 5/8	986 x 1337	BLACK & WHITE	70
GEO-3000-Y-X	CUSTOM	CUSTOM	CUSTOM	CUSTOM	BLACK & WHITE	CUSTOM
GEO-3106-Y-X	10 x 10	254 X 254	14 13/16 x 14 5/8	376 x 371	COLOUR	6
GEO-3110-Y-X	12 x 12	305 X 305	16 13/16 x 16 5/8	427 x 422	COLOUR	10
GEO-3114-Y-X	12 x 16	305 X 406	16 13/16 x 20 5/8	427 x 524	COLOUR	14
GEO-3116-Y-X	16 x 16	406 X 406	20 13/16 x 20 5/8	529 x 524	COLOUR	16
GEO-3124-Y-X	16 x 24	406 X 610	20 13/16 x 28 5/8	529 x 727	COLOUR	24
GEO-3140-Y-X	24 x 24	610 X 610	28 13/16 x 28 5/8	732 x 727	COLOUR	40
GEO-3150-Y-X	24 x 34	610 X 864	28 13/16 x 38 5/8	732 x 981	COLOUR	50
GEO-3170-Y-X	34 x 48	864 X 1219	38 13/16 x 52 5/8	986 x 1337	COLOUR	70
GEO-3100-Y-X	CUSTOM	CUSTOM	CUSTOM	CUSTOM	COLOUR	CUSTOM

TABLE 1.1

- NOTES:**
1. ABOVE DIMENSIONS ARE CALCULATED USING LEFT-HAND HINGE.
  2. ABOVE DIMENSIONS ARE FOR FLUSH AND SURFACE MOUNT ONLY, PLEASE SEE TABLE 1.2 ON PAGE 6 FOR SHALLOW SURFACE DIMENSIONS.
  3. Y INDICATES THE BOX MOUNT TYPE VARIABLE: F - FLUSH, S - SURFACE, SS - SHALLOW SURFACE.
  4. X INDICATES THE FRAME COLOUR VARIABLE: A - CLEAR, B - BLACK, C - BRONZE.
  5. FLUSH MOUNT BOXES REQUIRE A MINIMUM IN WALL DEPTH OF 4".

## GEO-3000 Series Active Graphic:

### OUTER DOOR MOUNT MODEL INFORMATION (SHALLOW SURFACE MOUNT):

MODEL NUMBER:	VIEWING SIZE W x H	VIEWING SIZE W x H	FRAME SIZE W x H (INCHES):	FRAME SIZE W x H (MM):	GRAPHIC TYPE	RECOMMENDED # OF ZONES
GEO-3006-Y-X	10 x 10	254 X 254	13 9/16 x 13 3/8	345 x 340	BLACK & WHITE	6
GEO-3010-Y-X	12 x 12	305 X 305	15 9/16 x 15 3/8	395 x 390	BLACK & WHITE	10
GEO-3014-Y-X	12 x 16	305 X 406	15 9/16 x 19 3/8	395 x 492	BLACK & WHITE	14
GEO-3016-Y-X	16 x 16	406 X 406	19 9/16 x 19 3/8	497 x 492	BLACK & WHITE	16
GEO-3024-Y-X	16 x 24	406 X 610	19 9/16 x 27 3/8	497 x 695	BLACK & WHITE	24
GEO-3040-Y-X	24 x 24	610 X 610	27 9/16 x 27 3/8	700 x 695	BLACK & WHITE	40
GEO-3050-Y-X	24 x 34	610 X 864	27 9/16 x 37 3/8	700 x 949	BLACK & WHITE	50
GEO-3070-Y-X	34 x 48	864 X 1219	27 9/16 x 51 3/8	700 x 1305	BLACK & WHITE	70
GEO-3000-Y-X	CUSTOM	CUSTOM	CUSTOM	CUSTOM	BLACK & WHITE	CUSTOM
GEO-3106-Y-X	10 x 10	254 X 254	13 9/16 x 13 3/8	345 x 340	COLOUR	6
GEO-3110-Y-X	12 x 12	305 X 305	15 9/16 x 15 3/8	395 x 390	COLOUR	10
GEO-3114-Y-X	12 x 16	305 X 406	15 9/16 x 19 3/8	395 x 492	COLOUR	14
GEO-3116-Y-X	16 x 16	406 X 406	19 9/16 x 19 3/8	497 x 492	COLOUR	16
GEO-3124-Y-X	16 x 24	406 X 610	19 9/16 x 27 3/8	497 x 695	COLOUR	24
GEO-3140-Y-X	24 x 24	610 X 610	27 9/16 x 27 3/8	700 x 695	COLOUR	40
GEO-3150-Y-X	24 x 34	610 X 864	27 9/16 x 37 3/8	700 x 949	COLOUR	50
GEO-3170-Y-X	34 x 48	864 X 1219	27 9/16 x 51 3/8	700 x 1305	COLOUR	70
GEO-3100-Y-X	CUSTOM	CUSTOM	CUSTOM	CUSTOM	COLOUR	CUSTOM

TABLE 1.2

- NOTES:**
1. ABOVE DIMENSIONS ARE CALCULATED USING LEFT-HAND HINGE.
  2. Y INDICATES THE BOX MOUNT TYPE VARIABLE: F - FLUSH, S - SURFACE, SS - SHALLOW SURFACE.
  3. X INDICATES THE FRAME COLOUR VARIABLE: A - CLEAR, B - BLACK, C - BRONZE.

## GEO-3000 Series Active Graphic:

### INNER DOOR MOUNT MODEL INFORMATION (FLUSH & SURFACE MOUNT):

MODEL NUMBER:	VIEWING SIZE W x H (INCHES):	VIEWING SIZE W x H (MM):	FRAME SIZE W x H (INCHES):	FRAME SIZE W x H (MM):	GRAPHIC TYPE	RECOMMENDED # OF ZONES
GEO-3206-Y-X	10 x 10	254 X 254	16 3/16 x 15 15/16	411 x 405	BLACK & WHITE	6
GEO-3210-Y-X	12 x 12	305 X 305	18 3/16 x 17 15/16	462 x 456	BLACK & WHITE	10
GEO-3214-Y-X	12 x 16	305 X 406	18 3/16 x 21 15/16	462 x 557	BLACK & WHITE	14
GEO-3216-Y-X	16 x 16	406 X 406	22 3/16 x 21 15/16	564 x 557	BLACK & WHITE	16
GEO-3224-Y-X	16 x 24	406 X 610	22 3/16 x 29 15/16	564 x 760	BLACK & WHITE	24
GEO-3240-Y-X	24 x 24	610 X 610	30 3/16 x 29 15/16	767 x 760	BLACK & WHITE	40
GEO-3250-Y-X	24 x 34	610 X 864	30 3/16 x 39 15/16	767 x 1014	BLACK & WHITE	50
GEO-3270-Y-X	34 x 48	864 X 1219	40 3/16 x 53 15/16	1021 x 1370	BLACK & WHITE	70
GEO-3200-Y-X	CUSTOM	CUSTOM	CUSTOM	CUSTOM	BLACK & WHITE	CUSTOM
GEO-3306-Y-X	10 x 10	254 X 254	16 3/16 x 15 15/16	411 x 405	COLOUR	6
GEO-3310-Y-X	12 x 12	305 X 305	18 3/16 x 17 15/16	462 x 456	COLOUR	10
GEO-3314-Y-X	12 x 16	305 X 406	18 3/16 x 21 15/16	462 x 557	COLOUR	14
GEO-3316-Y-X	16 x 16	406 X 406	22 3/16 x 21 15/16	564 x 557	COLOUR	16
GEO-3324-Y-X	16 x 24	406 X 610	22 3/16 x 29 15/16	564 x 760	COLOUR	24
GEO-3340-Y-X	24 x 24	610 X 610	30 3/16 x 29 15/16	767 x 760	COLOUR	40
GEO-3350-Y-X	24 x 34	610 X 864	30 3/16 x 39 15/16	767 x 1014	COLOUR	50
GEO-3370-Y-X	34 x 48	864 X 1219	40 3/16 x 53 15/16	1021 x 1370	COLOUR	70
GEO-3300-Y-X	CUSTOM	CUSTOM	CUSTOM	CUSTOM	COLOUR	CUSTOM

TABLE 1.3

- NOTES:**
1. ABOVE DIMENSIONS ARE CALCULATED USING LEFT-HAND HINGE.
  2. ABOVE DIMENSIONS ARE FOR FLUSH AND SURFACE MOUNT ONLY, PLEASE SEE TABLE 1.4 ON PAGE 8 FOR SHALLOW SURFACE DIMENSIONS.
  3. Y INDICATES THE BOX MOUNT TYPE VARIABLE: F - FLUSH, S - SURFACE, SS - SHALLOW SURFACE.
  4. X INDICATES THE FRAME COLOUR VARIABLE: A - CLEAR, B - BLACK, C - BRONZE.
  5. FLUSH MOUNT BOXES REQUIRE A MINIMUM IN WALL DEPTH OF 4".

**GEO-3000 Series Active Graphic:**

**INNER DOOR MOUNT MODEL INFORMATION (SHALLOW SURFACE MOUNT):**

MODEL NUMBER:	VIEWING SIZE W x H (INCHES):	VIEWING SIZE W x H (MM):	FRAME SIZE W x H (INCHES):	FRAME SIZE W x H (MM):	GRAPHIC TYPE	RECOMMENDED # OF ZONES
GEO-3206-Y-X	10 x 10	254 X 254	14 15/16 x 14 11/16	379 x 373	BLACK & WHITE	6
GEO-3210-Y-X	12 x 12	305 X 305	16 15/16 x 16 11/16	430 x 424	BLACK & WHITE	10
GEO-3214-Y-X	12 x 16	305 X 406	16 15/16 x 20 11/16	430 x 526	BLACK & WHITE	14
GEO-3216-Y-X	16 x 16	406 X 406	20 15/16 x 20 11/16	532 x 526	BLACK & WHITE	16
GEO-3224-Y-X	16 x 24	406 X 610	20 15/16 x 28 11/16	532 x 729	BLACK & WHITE	24
GEO-3240-Y-X	24 x 24	610 X 610	28 15/16 x 28 11/16	735 x 729	BLACK & WHITE	40
GEO-3250-Y-X	24 x 34	610 X 864	28 15/16 x 38 11/16	735 x 983	BLACK & WHITE	50
GEO-3270-Y-X	34 x 48	864 X 1219	38 15/16 x 52 11/16	989 x 1338	BLACK & WHITE	70
GEO-3200-Y-X	CUSTOM	CUSTOM	CUSTOM	CUSTOM	BLACK & WHITE	CUSTOM
GEO-3306-Y-X	10 x 10	254 X 254	14 15/16 x 14 11/16	379 x 373	COLOUR	6
GEO-3310-Y-X	12 x 12	305 X 305	16 15/16 x 16 11/16	430 x 424	COLOUR	10
GEO-3314-Y-X	12 x 16	305 X 406	16 15/16 x 20 11/16	430 x 526	COLOUR	14
GEO-3316-Y-X	16 x 16	406 X 406	20 15/16 x 20 11/16	532 x 526	COLOUR	16
GEO-3324-Y-X	16 x 24	406 X 610	20 15/16 x 28 11/16	532 x 729	COLOUR	24
GEO-3340-Y-X	24 x 24	610 X 610	28 15/16 x 28 11/16	735 x 729	COLOUR	40
GEO-3350-Y-X	24 x 34	610 X 864	28 15/16 x 38 11/16	735 x 983	COLOUR	50
GEO-3370-Y-X	34 x 48	864 X 1219	38 15/16 x 52 11/16	989 x 1338	COLOUR	70
GEO-3300-Y-X	CUSTOM	CUSTOM	CUSTOM	CUSTOM	COLOUR	CUSTOM

TABLE 1.4

- NOTES:**
1. ABOVE DIMENSIONS ARE CALCULATED USING LEFT-HAND HINGE.
  2. Y INDICATES THE BOX MOUNT TYPE VARIABLE: F - FLUSH, S - SURFACE, SS - SHALLOW SURFACE.
  3. X INDICATES THE FRAME COLOUR VARIABLE: A - CLEAR, B - BLACK, C - BRONZE.