

Passive Graphic Specifications:

Passive Graphics / Multicoloured

- Graphic shall be of modular construction with a clear protective lens.
- Graphic display shall be mounted on white substrate.
- Graphic information shall be computer printed on archivable film. Film shall be 100% dimensionally stable, and the inks used shall be U.V. protected against fading or colour changes.
- Area zone colours shall clearly define zone boundaries.
- All egress corridors shall be clearly defined in a distinctive (DOT) black hatch pattern.
- All enclosed stairs and elevators shall be coloured yellow.
- "YOU ARE HERE" location shall be in RED and properly oriented to the viewer when standing in front of the graphic.
- Text and font sizes shall be all uppercase and a minimum of 0.10 inches in height.

Graphic Updates and Modifications

- Must be able to make future modifications and updates to the graphic with zero panel down time.

Approval Drawings

- Drawings shall be electronically stored.
- Provide coloured PDFs.
- No graphic will be manufactured without the written approval.

Frame

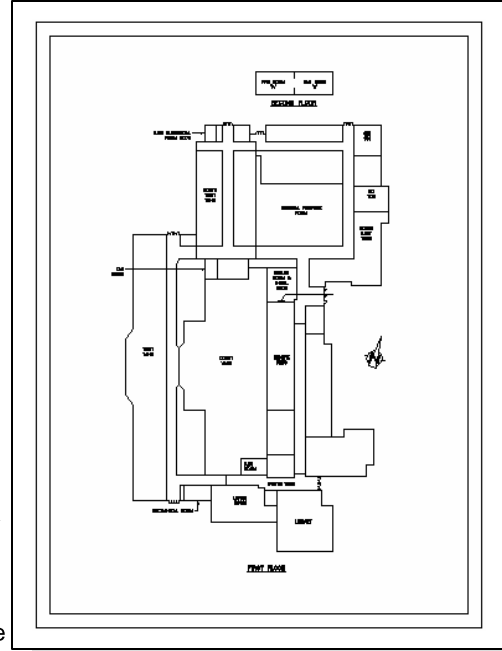
- The Frame shall be constructed of extruded aluminum with concealed mounting hardware. No screws shall be visible. Concealed security mounting hardware supplied with each graphic
- Silver aluminum.

GEO-2000 Series Passive Graphic:

PRODUCT DESCRIPTION:

The GEO-2000 series passive graphic products are designed for locations where a normal level of use is expected. All graphics are custom made to suite building size and number of floors. The graphic's standard frame is manufactured from a light duty attractive silver aluminum frame. For applications where a slightly higher level of durability, or weather proofing for exterior use is required, the heavy duty clear anodized frame is sure to meet your needs. Each graphic includes a 1/8" clear protective lens, and an optional 1/4" clear Lexan protective lens is also available. All security mounting hardware (see Fig.2) is included with each graphic, and is concealed from view.

The building's layout and zones are defined by a black outline on a white background. Zone boundaries can be enhanced, using optional colour zone separations in pastel inks. All egress corridors will be clearly defined in a distinctive (DOT) black hatch pattern. The "YOU ARE HERE" location will be indicated in a bold red text and orientated to the viewer when standing in front of the graphic. The graphic itself is printed in a UV protected ink on a film overlay (see Fig.1) which can be easily replaced if the building or zone layouts change over time.



A GEO-2000 series passive graphic will provide a durable and accurate visual aid when used in conjunction with the GEO-6000 Series or any ULC listed annunciator.

PRODUCT FEATURES:

- Standard frame is a light duty attractive silver anodized picture frame.
- Optional heavy duty clear anodized frame available.
- Weather proofing for exterior use optional on heavy duty frame.
- 1/8" clear protective lens standard.
- 1/4" clear Lexan protective lens optional.
- Black outline on a white background clearly indicates building layout and colours clearly indicate zone boundaries.
- Egress corridors clearly defined in a distinctive (DOT) black hatch pattern.
- "YOU ARE HERE" indicated in bold red text.
- Security mounting hardware included.
- All graphics are custom made to suite building size and number of floors.

GEO-2000 Series Passive Graphic:

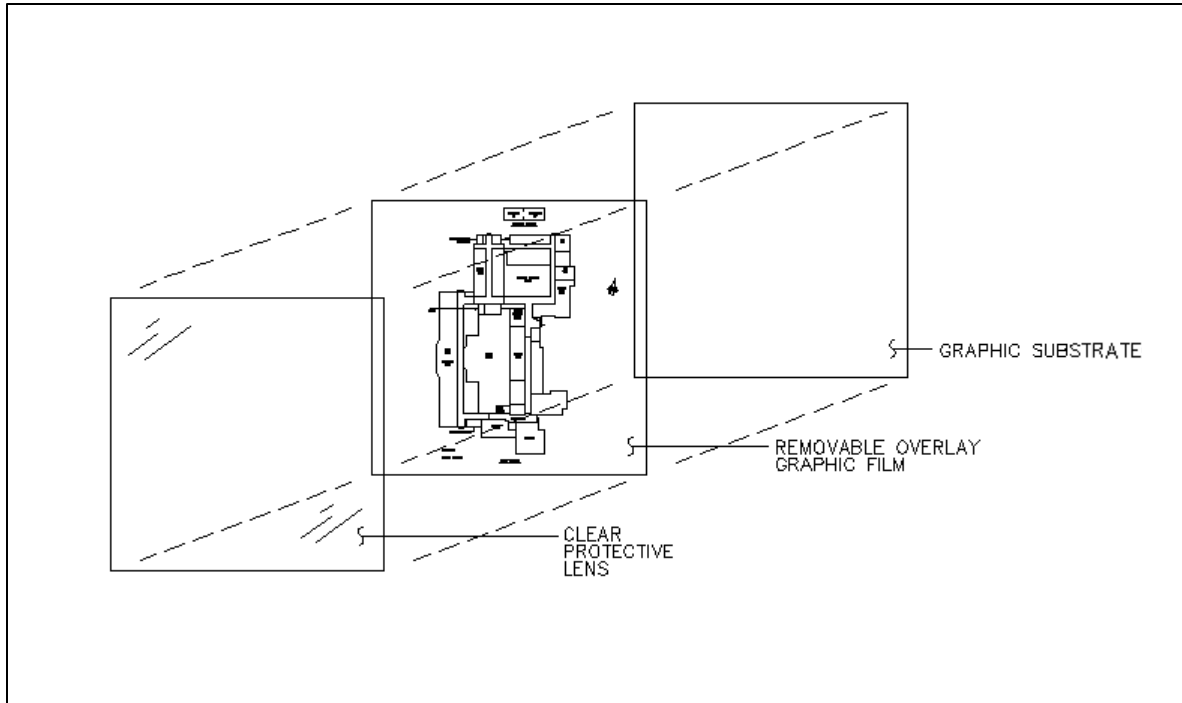


Fig.1

TYPICAL GRAPHIC ASSEMBLY DIAGRAM / SECURITY HARDWARE

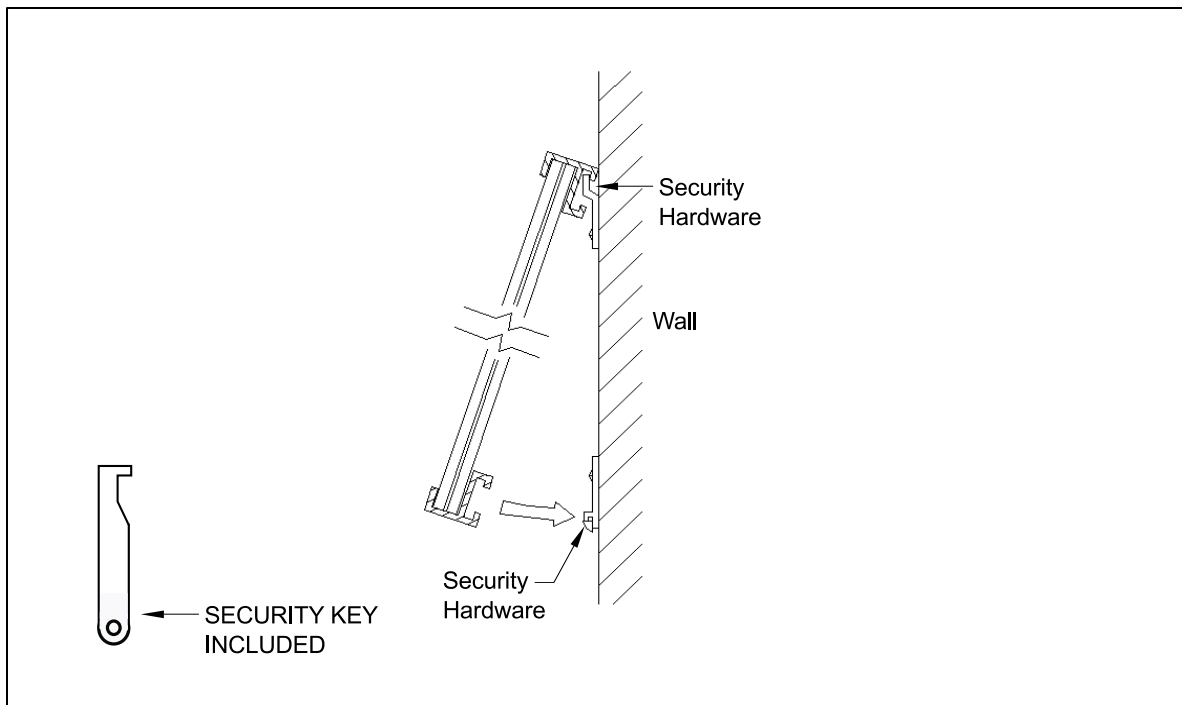


Fig.2

TYPICAL MOUNTING DIAGRAM