

Passive Graphic Specifications:

Passive Graphics / Multicoloured

- Graphic shall be of modular construction with a clear protective lens.
- Graphic display shall be mounted on white substrate.
- Graphic information shall be computer printed on archivable film. Film shall be 100% dimensionally stable, and the inks used shall be U.V. protected against fading or colour changes.
- Area zone colours shall clearly define zone boundaries.
- All egress corridors shall be clearly defined in a distinctive (DOT) black hatch pattern.
- All enclosed stairs and elevators shall be coloured yellow.
- "YOU ARE HERE" location shall be in RED and properly oriented to the viewer when standing in front of the graphic.
- Text and font sizes shall be all uppercase and a minimum of 0.10 inches in height.

Graphic Updates and Modifications

- Must be able to make future modifications and updates to the graphic with zero panel down time.

Approval Drawings

- Drawings shall be electronically stored.
- Provide coloured PDFs.
- No graphic will be manufactured without the written approval.

Frame

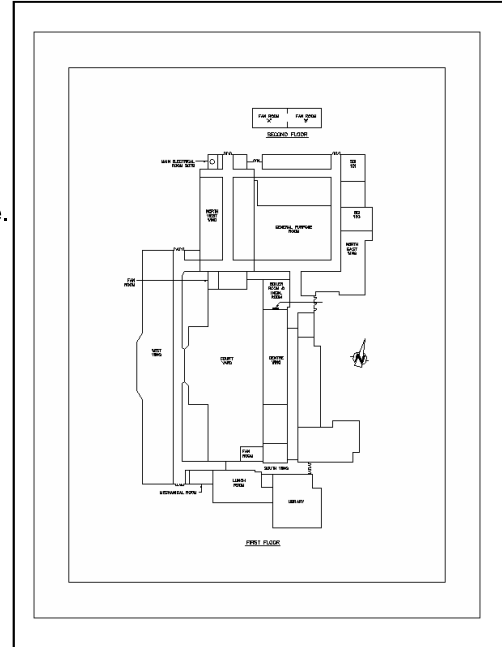
- The Frame shall be constructed of extruded aluminum with concealed mounting hardware. No screws shall be visible. Concealed security mounting hardware supplied with each graphic
- Silver aluminum.

GEO-2000HD (Heavy Duty) Series Passive Graphic:

PRODUCT DESCRIPTION:

The GEO-2000HD series passive graphic products are designed for locations where a high level of abuse and vandalism is expected. All graphics are custom made to suite building size and number of floors. The graphic's frame is manufactured from an attractive and extremely durable clear anodized aluminium. For applications that include exterior use, weather proofing is available. Each heavy duty graphic includes a 1/8" clear protective lens, which is capable of withstanding extremely high level of abuse.

The building's layout and zones boundaries are defined by a black outline on a white background. Zone boundaries can be enhanced, using optional colour zone separations in pastel inks. All egress corridors will be clearly defined in a distinctive (DOT) black hatch pattern. The "YOU ARE HERE" location will be indicated in a bold red text and orientated to the viewer when standing in front of the graphic. The graphic itself is printed in a UV protected ink on a film overlay (see Fig.1) which can be easily replaced if the building or zone layouts change over time.



A GEO-2000HD series passive graphic will provide an extremely durable and accurate visual with a GEO-6000 Series or any ULC listed annunciator.

PRODUCT FEATURES:

- Frame is manufactured from an attractive and extremely durable clear anodized aluminium.
- Weather proofing for exterior use optional.
- 1/8" clear protective lens.
- Black outline on a white background clearly indicates building layout and zone boundaries.
- Zone boundaries can be enhanced using colour pastel inks.
- Egress corridors clearly defined in a distinctive black hatch (DOT) pattern.
- "YOU ARE HERE" indicated in bold red text.
- All graphics are custom made to suite building size and number of floors.

GEO-2000HD (Heavy Duty) Series Passive Graphic:

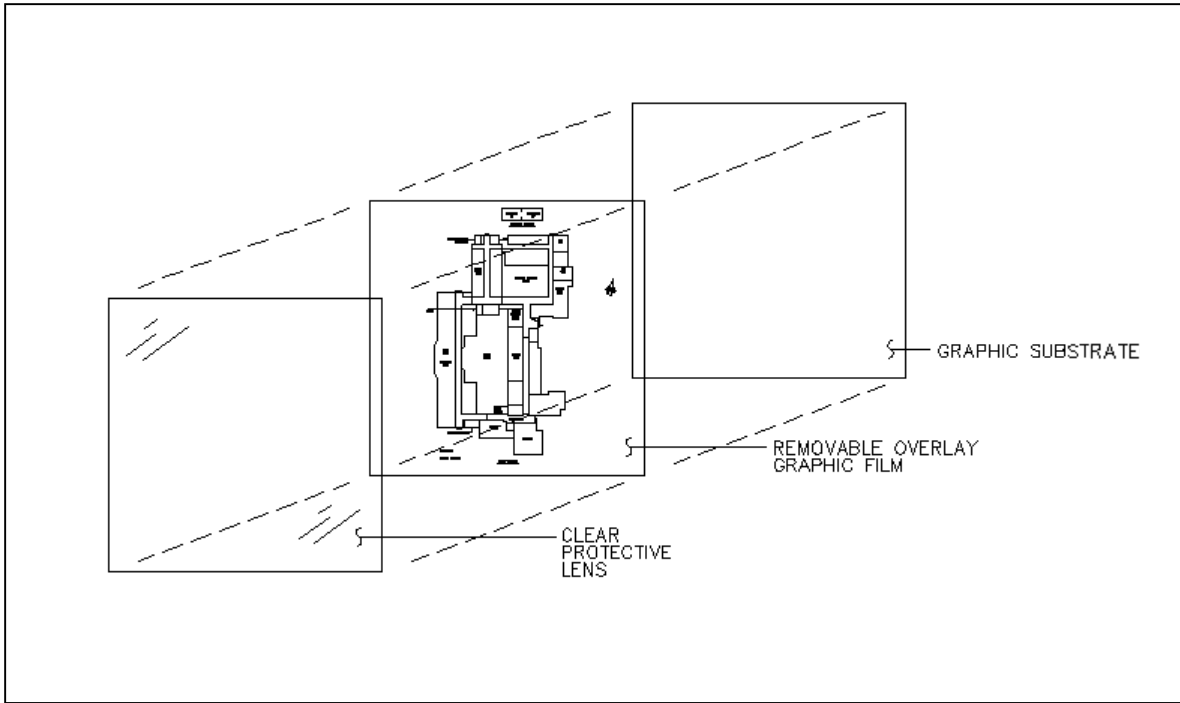


Fig.1

TYPICAL GRAPHIC ASSEMBLY DIAGRAM

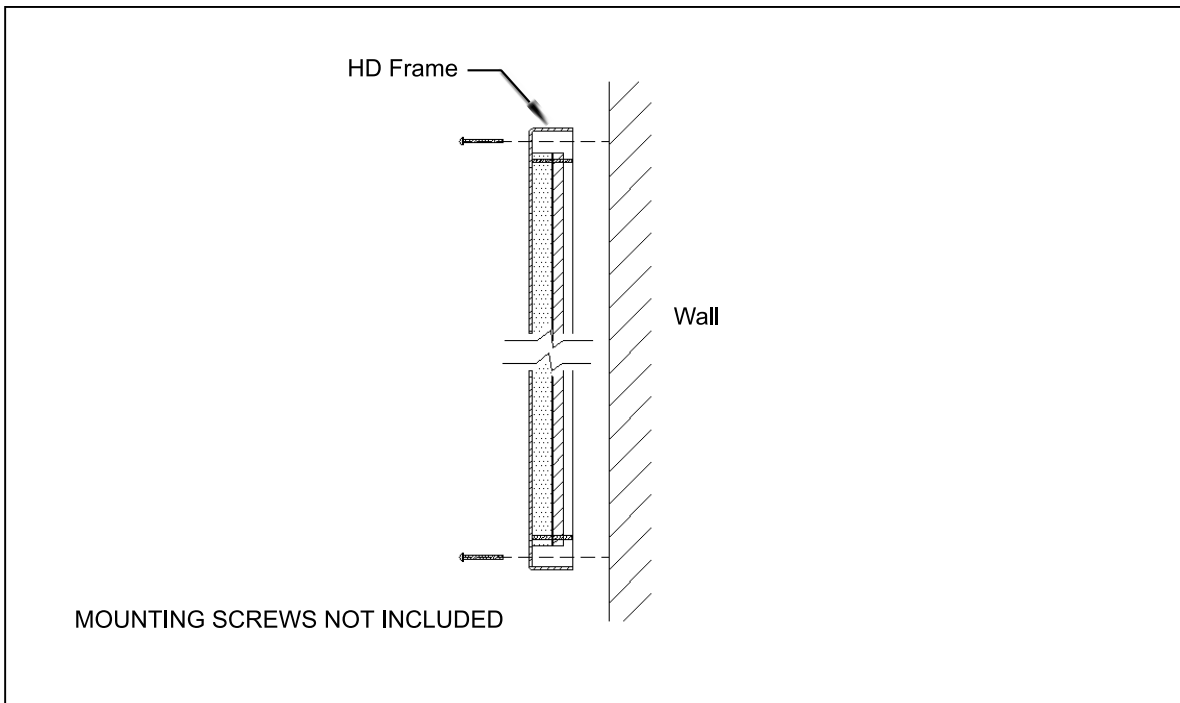


Fig.2

TYPICAL MOUNTING DIAGRAM FOR HD FRAME